

## RS 08

### Speaker Specifications

Power	Pe	<b>175 / 250</b>	RMS/Nom
DC resistance	Rdc	<b>3,5</b>	Ω
Nominal impedance	ZN	<b>4</b>	Ω
Resonance frequency	fs	<b>39,6</b>	HZ
Voice coil diameter		<b>1,5</b>	inch

Mechanical Q factor	Qms	<b>5,96</b>
Electrical Q factor	Qes	<b>0,55</b>
Total Q factor	Qts	<b>0,50</b>

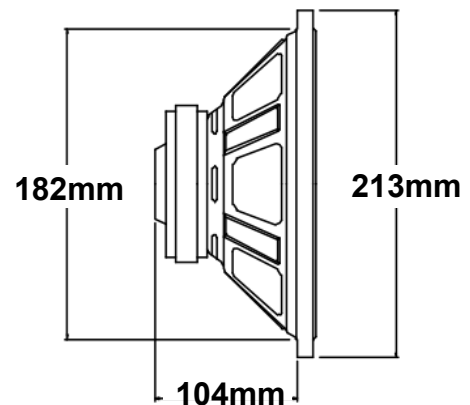
Moving mass	Mms	<b>57,3</b>	g
Effective piston area	Sd	<b>221</b>	cm <sup>2</sup>
Mechanical resistance	Rms	<b>2,5</b>	Kg/s
Compliance	Cms	<b>0,28</b>	mm/N
Force factor	BL	<b>9,5</b>	Tm
Equivalent air volume	Vas	<b>18,1</b>	dm <sup>3</sup>
SPL 2,83V/1m		<b>88</b>	dB

Cone: Paper	Spider: Nomex
Surround: Rubber	Coil former: Aluminium
Basket: Steel	Dust cap: Fiberglass



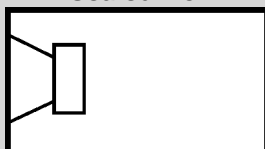
### Diameter

External diameter	<b>213 mm / 8,39 inch</b>
Installation diameter	<b>182 mm / 7,17 inch</b>
Installation depth	<b>104 mm / 4,09 inch</b>
Magnet diameter	<b>126 mm / 4,96 inch</b>



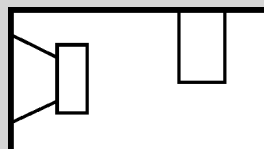
### Recommended Boxes (including Ports and Drivers)

#### Sealed Box



V: **12 l**

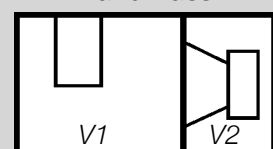
#### Vented Box



V: **20 l**

d: 70 / 2,76 mm / inch  
l: 200 / 7,87 mm / inch

#### Band Pass



V1: **13 l** V2: **9 l**

d: 70 mm / 2,76 inch  
l: 200 mm / 7,87 inch